

DE

GB

FR

IT

ES

NL

DK

SE

CZ

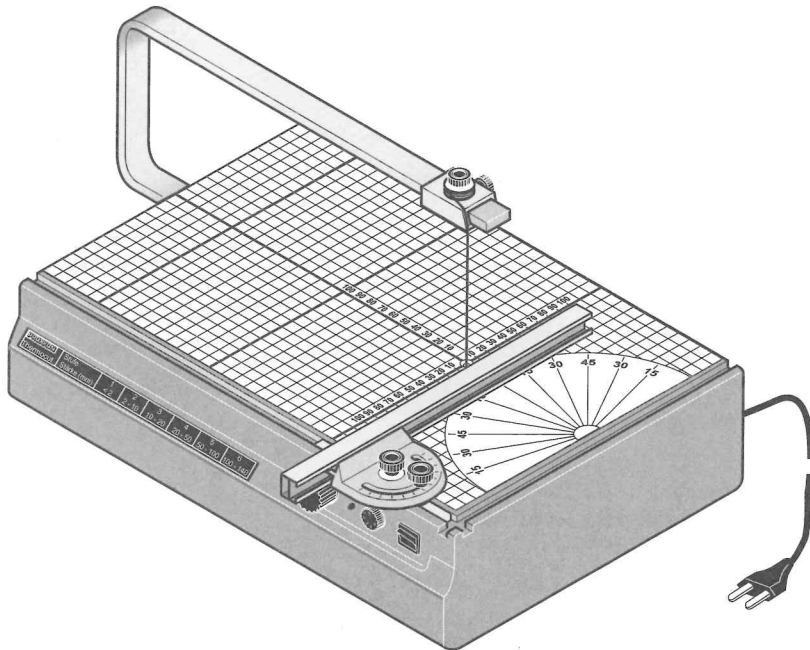
TR

PL

RU

PROXXON

Thermocut 230/E



Manual

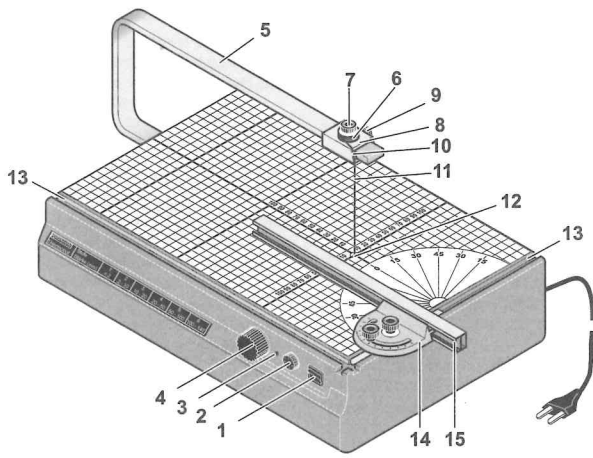


Fig. 1

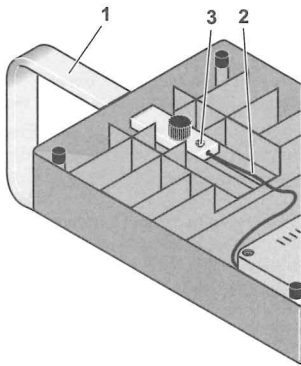


Fig. 2

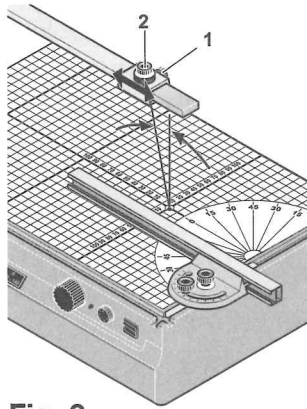


Fig. 3

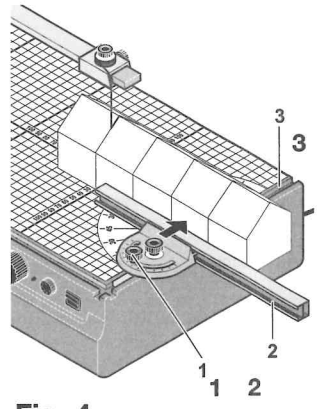


Fig. 4

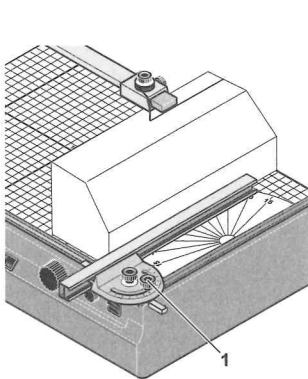


Fig. 5

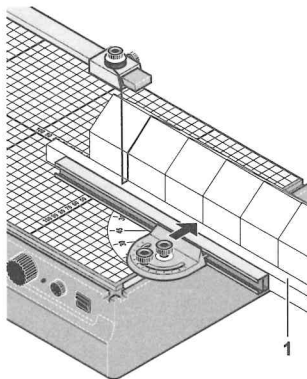


Fig. 6

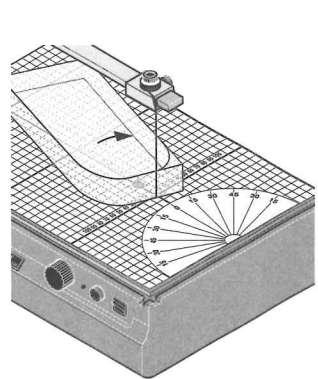


Fig. 7

Dear customer!

Please read the enclosed safety and operating instructions before you use the PROXXON THERMOCUT the first time in order to ensure safe and proper handling.

Overall view (Fig. 1):

1. On/Off switch
2. Temperature regulator
3. Standby LED
4. Knurled screw for clamping the cutting wire
5. Clamp
6. Wire spool
7. Screw for wire spool
8. Spool carrier
9. Screw for spool carrier
10. Guide slot
11. Cutting Wire
12. Lower wire guide
13. Slot for angle stop
14. Angle stop
15. Extension

Description of the device

With the PROXXON THERMOCUT you can cut polystyrene in a clean and safe way. The standard equipment includes a spool with cutting wire (\varnothing 0.2 mm, length 30 m) and an adjustable angle stop with an extension.

Technical data

Voltage:	Primary 220 – 240 Volt, 50/60Hz Secondary max. 10.5 Volt, 50/60Hz
Power rating:	max. 20 watt
Dimensions of work surface:	370 x 260 mm
Max. cutting height:	140 mm
Working range:	350 mm
Weight:	2.9 kg

For use in dry environments only



Protection class II device



Please do not dispose off the machine!



Additional safety instructions

1. Provide good ventilation when using the device.
2. Observe the material suppliers safety instructions when cutting.
3. The cutting wire is hot. Risk of skin burn!
4. Do not use the device near curtains or other combustible materials.
5. Do not leave the device unattended when it is switched on.
6. **Only use the supplied cutting wire or original PROXXON replacement wire, otherwise the transformer can become overloaded.**
7. Switch off the device after use.

Assembling the THERMOCUT

Fit the clamp **1** (Fig. 2) on the underside of the device with the aid of the enclosed knurled screw. Fasten the cable **2** to the clamp with the screw **3**. Tighten the screw well to ensure good electrical contact (10.5 volt low voltage). Slide the spool carrier **8** (Fig. 1) on to the arm and fasten it with the screw **9**.

Operation

Installing the cutting wire

1. Switch off the device.
2. Carefully unwind the cutting wire approx. 20 cm.
3. Open the lower wire guide by turning the knurled screw **4** (Fig. 1).
4. Thread the wire approx. 5 cm into the lower wire guide.
5. Clamp the wire by turning the knurled screw **4**.
6. Push the clamp arm **5** lightly downwards with your left hand, thread the wire through the guide slot **10** and fasten the wire spool **6** so that the wire is slightly tensioned.
7. Release the arm. The wire is tensioned by the spring force of the arm.
8. Check that the wire is at right angles to the work surface. Adjust if necessary by sliding the spool carrier **8** or by bending the clamp.
9. Connect the mains plug. Your device is now ready for use.

Cutting

10. Switch on the device with the switch **1** (Fig. 1) (The transformer will make a humming sound).

Note:

It is normal that the wire extends somewhat after being heated for the first time. Stretch the wire slightly by the first heating and tension it again. The wire will now retain its length.

11. Adjust the temperature with the regulator **2**. The table on the front of the device serves as a guide. The best way to find the ideal temperature is to try different temperatures yourself. For simple, straightforward cuts you use a high temperature, for complicated shapes a lower temperature. Please note that too high temperatures will cause untidy edges.
12. Now move the foam plastic through the wire with a light pressure and even speed. Be aware that too high pressure in the direction of the cut when cutting complicated shapes will tend to bend the wire.

Mitre cutting

Mitre cutting can be done in two ways with the THERMOCUT: by adjusting the spool carrier or with the adjustable angle stop.

Adjusting the spool carrier: loosen the screws **1** and **2** (Fig. 3) and select the required mitre angle by sliding the spool carrier. Tighten the screw **1** again and tension the wire as usual.

Note:

Adjusting the spool carrier will lengthen the heated part of the wire and thus increase the electrical resistance. The temperature must be adjusted accordingly.

Working with the stop: Select the required mitre on the angle stop and secure the adjustment with the screw **1** (Fig. 4). Move the extension **2** so that you can pass the cutting wire without difficulty. Press the foam plastic against the stop and guide the stop along the slot **3**.

Note: The stop can be fixed for parallel cutting. Turn the screw **1** (Fig.5) to clamp the stop in the slot. Guide the foam plastic past the cutting wire along the stop.

Important hints:

- When cutting double mitre (e.g. roof), don't remove the cut off after the first cutting. Use it as an underlay for the second cut.
- The wire has a higher temperature at the exit side of the foam plastic, which may cause surface melting. To prevent this the wire can be cooled by blowing on it.
- Small sections of long profiles can best be cut by laying a waste piece **1** (Fig. 6) between the stop and the work piece and then cutting against the stop. The cutting wire then cuts into the waste piece and the edges remain clean.
- You can make a simple device yourself for cutting circular segments. Fix a drawing-pin at the centre of the required circle on the working table with a piece of tape. Fix the workpiece onto the pin and turn the workpiece around the pin (Fig. 7).
- The cutting wire normally breaks above the guide bushing. Insert the wire a few centimetres further in the lower wire guide and fasten it again at regular intervals to prevent wire breaks.

Please note:

After a longer period of operation, oxidation of the contact point on the upper frame can cause functional disruptions to the device. This is the case if the spool carrier (Item 6, Fig. 1) remains in one location for a long time and is not moved occasionally, e.g. for mitre cuts.

The remedy is easy:

Simply release the fastening screw of the spool carrier, move it back and forth, and then retighten the fastening screw.

Cleaning the device

Clean the wire and the bushing regularly to prevent unnecessary evaporation of foam plastic residue. Caution: First switch off the device!

Disposal:

Please do not dispose of the device in domestic waste! The device contains valuable substances that can be recycled. If you have any questions about this, please contact your local waste management enterprise or other corresponding municipal facilities.

EC Declaration of Conformity

Name and address of the manufacturer: PROXXON S.A.
6-10, Hårebjerg
L-6868 Wecker

Product designation: Thermocut 230/E
Article No.: 27080

In sole responsibility, we declare that this product conforms to the following directives and normative documents:

EU Low Voltage Directive 2006/95/EC

EU EMC Directive 2004/108/EC

Date: 21.10.2013



Dipl.-Ing. Jörg Wagner

Machine Safety Department
PROXXON S.A.

The CE document authorized agent is identical with the signatory.

Ersatzteilliste

Ersatzteile bitte schriftlich beim PROXXON Zentralservice bestellen (Adresse auf der Rückseite der Anleitung)

Proxxon Thermocut 230/E

ET - Nr.:	Benennung		
27080 - 01	Gehäuse	/	Casing
27080 - 02	Bügel	/	Bracket
27080 - 03	Spulenträger	/	Spool carrier
27080 - 05	Drahtspule (ø 0.2 mm, 30 m)	/	Coil
27080 - 06	Rändelschraube kurz	/	Knurled screw, short
27080 - 07	Rändelschraube lang	/	Knurled screw, long
27080 - 08	Unterlegscheibe	/	Washer
27080 - 09	Rändelschraube für Bügel	/	Knurled screw for bracket
27080 - 10	Verlängerungsschiene	/	Extension bar
27080 - 11	Winkelanschlag	/	Mitre gauge
27080 - 12	Rändelschraube für Drahtklemmung	/	Knurled screw for clamping wire
27080 - 13	Knopf für Temperatureinstellung	/	Knob for temperature adjustment
27080 - 14	Hauptschalter	/	On-off switch
27080 - 15	Untere Drahtführung	/	Lower wire guidance
27080 - 16	Platine	/	Board
27080 - 17	Untere Gehäuseabdeckung	/	Lower casing cover
27080 - 18	Transformator	/	Transformer
27080 - 19	Zugentlastung	/	Strain relief
27080 - 20	Netzkabel	/	Power supply cord
27080 - 21	Schraube für Zugentlastung	/	Screw for strain relief
27080 - 22	Schraube für Gehäuseabdeckung	/	Screw for casing cover
27080 - 23	Kontaktschraube	/	Contact screw
27080 - 24	Schraube für untere Drahtführung	/	Screw for lower wire guidance
27080 - 25	Schraube für Transformator	/	Screw for transformer
27080 - 26	Gummifuss	/	Rubber foot
27080 - 99	Bedienungsanleitung incl. Sicherheitsvorschriften	/	Manual incl. Safety instructions

